

C2-2200A, C2-2205A C2-2250A, C2-2255A

Video Switcher/Scalers (▲×)

Key Features

- Up ▲, Cross × Conversion
- Automatic Incoming Resolution Detection
- Analog Computer In via HD-15 Connector
- DVI-D Computer Input via DVI-I Connector
- Inputs: 2xCV, 2xYC (S-Video), 1xYUV/YPbPr Component
- 2x Outputs: DVI-I and Analog RGBYPbPr
- Scaling of the RGB or YPbPr input signal
- Analog RGBHV to 2048x2048, DVI to 1920x1200 @ 60Hz
- All HDTV resolutions to 1080p/60
- AutoSet - Automatic picture sizing
- Multiple Worldwide Television Standards
- Integral 4x1 Stereo Audio Routing Switcher
- RS-232 and IP Interface
- Windows Control Panel
- Variable Image 10X Zoom & Shrink to 10%
- Optional IR Remote Control
- Optional Single/Dual Rackmount Kit
- Optional Expansion for Additional Inputs
- PIP, Chromakey and Lumakey, Edge Blending (C2-2250A, C2-2255A)
- HD/SD-SDI Input (C2-2205A, C2-2255A)



C2-2200A Video Switcher/Scaler is based on TV One's exclusive CORIO®2 technology and provides high quality scaling to Analog or DVI Computer or HDTV signals. NTSC and PAL video standards are supported. Video Inputs are two Composite, two YC and one YUV Component or YPbPr. A computer bypass is also provided. RGB/YPbPr Scaling permits the computer input signals to be scaled with the same flexibility as the video inputs. The output is selectable as any computer resolution up to 2048x2048 at any vertical refresh rate and all HDTV resolutions up to 1080p. A wide variety of computer signal formats are available to support PC, Mac and Workstation formats. Additional to the **C2-2205A** version is a HD/SD-SDI Input.

Temporal Interpolation greatly improves conversion from one frame-rate to another by merging multiple frames of video information to create intermediate frames, which is vital for smoothly scrolling images.

Diagonal Interpolation adds to the motion-compensated de-interlacing system to further improve image quality by intelligently filling-in missing detail.

All the functions can be controlled via the front panel Push Buttons, an Infrared Remote Control Unit or via an RS-232 or IP connection. A Windows Control Panel is provided and most third party control systems interface directly with the entire C2 range of products. A front panel LCD makes setup easy.

Variable Zoom to 10X allows you to enlarge any part of the video image to fill the entire computer screen and position controls allow you to move around to any area desired. Variable Shrink to as little as 10% allows fitting the image onto most displays. The high sampling rate insures crisp, clear images, while full bandwidth chroma sampling insures faithfully reproduced, high res colors.

Stereo Audio switching is provided by an integral 4x1 audio routing switcher. The four impedance-independent unbalanced inputs follow the video input selection. A rear panel terminal block provides access.

C2-2250A Video Scaler PLUS has all the functions and features of the C2-2200A and adds a wide variety of additional capabilities, including PIP, Chromakey, Lumakey and Mixing. The Key Mode allows computer graphics to be keyed over an external Composite or YC signal or vice versa. The keyed image may be faded in and out. Due to the 4:4:4 sampling format, precise keying at the pixel level can be achieved. The Mix Mode permits glitch-free mixing between the computer image and external video. The PIP Mode allows either of the video inputs to be inset in a window over either of the computer inputs. Additional to the **C2-2255A** version is a HD/SD-SDI Input.

Temporal Interpolation greatly improves conversion from one frame-rate to another by merging multiple frames of video information to create intermediate frames, which is vital for smoothly scrolling images.

Our exclusive AutoSet feature takes the hassle out of setup by automatically sizing and positioning the computer image to fit exactly on the video screen.

memory and are retained even when power is switched off. Optional rackmount kits are available for all C2-2000A models.

Video Switcher/Scalers

Distributor / Vertrieb:

VIDELCO – Professionelle Audio- Video- Medien-Technik!
Tel.: +49 (0)2102 / 86 39-00 • Fax: +49 (0)2102 / 86 39-17 • info@videlco.eu • www.videlco.eu

C2-2200/05A, C2-2250/55A Specifications

Video Inputs

Television Standards	NTSC, PAL, PAL-M, PAL-N, SECAM
Composite Video	2x via BNC
YC (S-Video)	2x via 4-Pin Mini-DIN
YUV /YPbPr	1x via 3-BNC
SDI (SMPTE 259M/292M)	1x via BNC (C2-2205A, C2-2255A)

Computer Inputs

Signal Type	1x Analog via HD-15 Female 1x DVI-D via DVI-I Connector
Format	RGBHV, RGBS, RGsB, YPbPr
Sync	TTL Level, 10KΩ, Pos or Neg
Termination	Auto-terminating into 75Ω
R-G-B Level Range	0.5-2.0 Vp-p
Scan Rate Detection	Automatic
Analog Signals	PC to 2048x2048, HD to 1080p/60
DVI Signals	PC to 1920x1200 @ 60Hz, HD to 1080p/60
Max Horiz Scan Rate	150KHz
Computer Compatibility	PC, Macintosh, Workstations

Computer Outputs

Signal Type	1x Analog via HD-15 Connector 1x DVI-I via DVI-I Connector
Format	RGBHV, RGBS, RGsB, YPbPr
R-G-B Level	0.7 Vp-p
Analog Signals	PC to 2048x2048, HD to 1080p/60
DVI Signals	PC to 1920x1200 @ 60Hz, HD to 1080p/60
Vertical Refresh Rate	Any to 250Hz

General

Size and Position	Automatic via AutoSet or Manual
Image Size	User-Definable Presets
Image Freeze	One Video Frame
Settings Memory	Non-Volatile
Zoom Range	Variable to 10X Zoom
Shrink Range	Variable to 10%
Image Mirroring	Horizontal and/or Vertical
Horizontal Filtering	Full Digital
Conversion Technology	Proprietary – CORIO®2
Frame Rate Conversion	Temporal
Color Resolution	24-bit (16.8 Million Colors)
Sampling Rate	162MHz
Digital Sampling	24-bit, 4:4:4 format
Firmware Memory	Flash, Upgradeable via RS-232
Video Decoder	9-bit Digital
De-Interlacing (NTSC-PAL)	Pixel-Level Motion Adaptive
Comb Filter Decoding	Adaptive
Film Mode (NTSC)	3:2 Pulldown
Video Adjustments	Contrast, Brightness, Saturation, Hue (NTSC), R-G-B Levels
DVI I/O	HDCP Compliant

Audio support

Embed	HDMI (via DVI)
De-embed (C2-22X5 only)	SDI & HDMI (via DVI)

Audio Input/Output

Inputs	4x Unbalanced via Terminals
Output	Unbalanced via Terminals
Operational Modes	(C2-2250A, C2-2255A)
Key	ChromaKey or LumaKey
Mix	PC to/from Video
PIP	Variable Window Size & Position

Control Methods

Local	via Front Panel Buttons & OSD
RS-232 Interface	via D9 Female Connector
IP Interface	RJ45 Connector
Infrared Remote	via IRC-4 Remote Unit
Input Expansion Control	via D-15 Options Connector

Warranty

Limited Warranty	5 Years Parts and Labor
------------------	-------------------------

Regulatory Compliance

Main Units	FCC, CE, RoHS
Power Supplies	UL, CUL, CE, PSE, GS, RoHS

Mechanical

Size (H-W-D)	41.5x218x150mm (1.63"x8.6"x5.9")
C2-2200 Weight (Net)	1.28kg (2.82 lbs)
C2-2205 Weight (Net)	1.32kg (2.90 lbs)
C2-2250 Weight (Net)	1.28kg (2.82 lbs)
C2-2255 Weight (Net)	1.30kg (2.86 lbs)

Environmental

Operating Temperature	0° to +50° C (+32° to +122° F)
Operating Humidity	10% to 85%, Non-condensing
Storage Temperature	-10° to +70° C (+14° to +158° F)
Storage Humidity	10% to 85%, Non-condensing

Power Requirement

External Power Supply	12VDC@1A
-----------------------	----------

Accessories Included

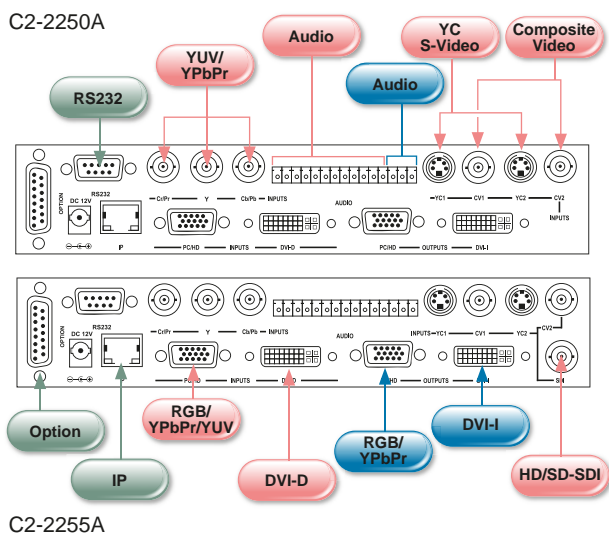
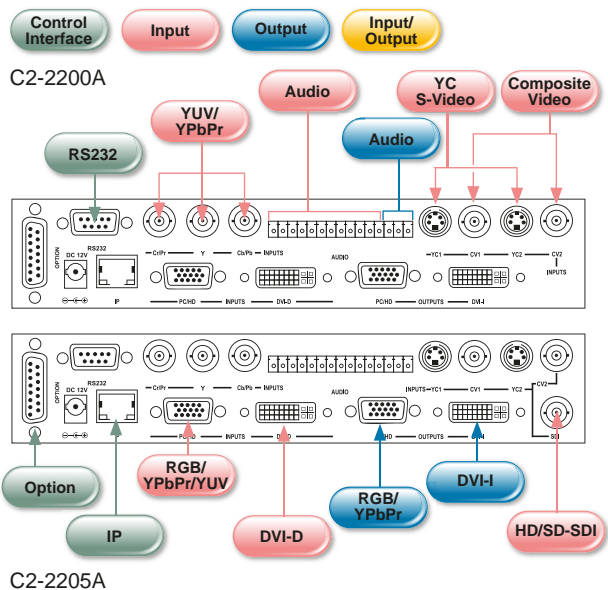
1x Operations Manual	C2-2000A Series
1x Power Adapter	US, UK or Euro

Product Item Numbers

C2-2200A	Video Switcher/Scaler
C2-2205A	Video Switcher/Scaler w/HD/SD-SDI In
C2-2250A	Video Switcher/Scaler PLUS
C2-2255A	Video Sw Scaler PLUS w/HD/SD-SDI In

Optional Accessories

IRC-5	Infrared Remote Control
RM-220	Single/Dual Rackmount Kit
S2 Series	Input Expansion Switchers
1x Control Software	Downloadable from website



Distributor / Vertrieb:

VIDELCO – Professionelle Audio- Video- Medien-Technik!
Tel.: +49 (0)2102 / 86 39-00 • Fax: +49 (0)2102 / 86 39-17 • info@videlco.eu • www.videlco.eu

